

## Green-Mode PWM Controller with Integrated Protections

### Features

- High-voltage (500V) startup circuit
- Current mode PWM
- Very low startup current (<20uA)
- Under-voltage lockout (UVLO)
- Non-audible-noise green-mode control
- Programmable switching frequency
- Cycle-by-cycle peak current limiting
- Internal leading-edge blanking
- Internal slope compensation
- Internal 4ms soft start (Fs = 65KHz)
- Gate output voltage clamp
- Soft driving for reducing EMI
- Over-voltage protection (OVP) on Vcc pin
- Over-load protection (OLP)
- 500mA driving capability

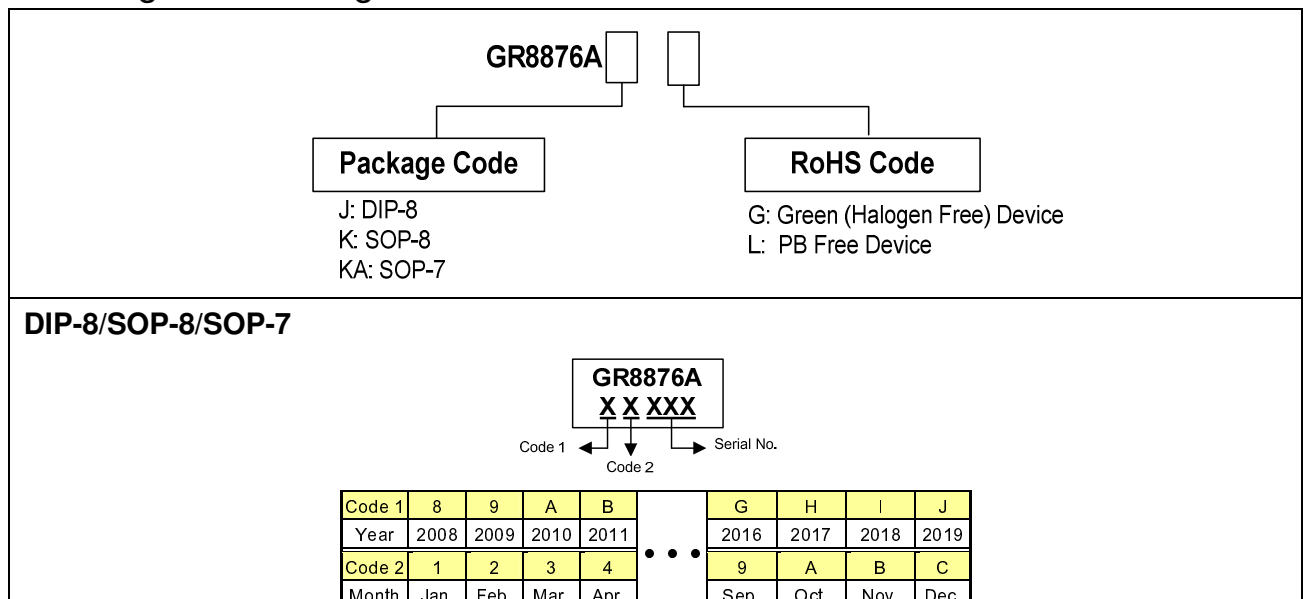
### Applications

- Open-frame SMPS
- Switching AC/DC adapter

### Description

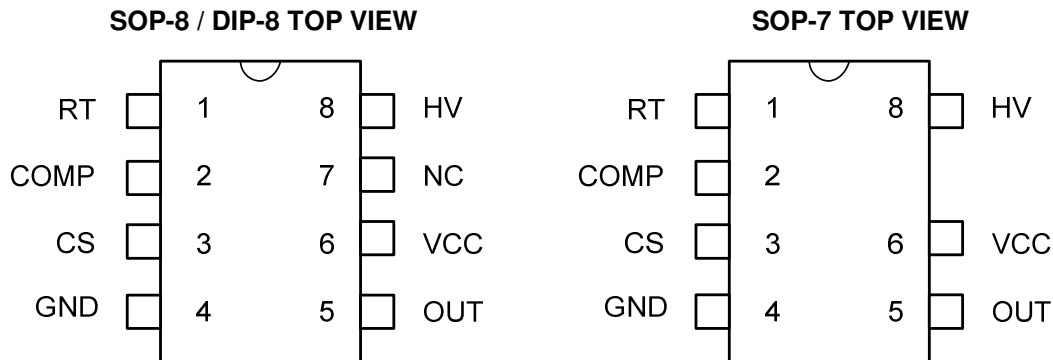
The GR8876A is a highly-integrated, low startup current, current mode PWM controller with green-mode function and high-voltage start up circuit. A high-voltage current source supplies the start up current and the traditional start-up resistor can be saved in order to reduce the power dissipation due to start-up resistor. The controller also includes the leading-edge blanking of the current sensing, internal slope compensation and cycle-by-cycle peak current limiting. It is also integrated soft driving for reducing EMI, gate output voltage clamp function for protecting power MOSFET. GR8876A provides several protections such as OLP, OVP, and OCP for fault conditions. The GR8876A improves the performance and reduces the cost of power supplies. It is available in both 8-pin SOP, 7-pin SOP and 8-pin DIP package.

### Ordering and Marking Information



Greenergy OPTO Inc. reserves the right to make changes to improve reliability or manufacture ability without notice, and advise customers to obtain the latest version of relevant information to verify before placing orders.

## Pin Configuration



## Pin Description

| Pin | Symbol | Description  |
|-----|--------|--|
| 1   | RT     | Connecting a resistor to ground, this resistor determine the switching frequency   |
| 2   | COMP   | Voltage feedback pin, by connecting a photo-coupler to control the duty cycle  |
| 3   | CS     | Current sense pin, connect to sense the MOSFET current   |
| 4   | GND    | Ground   |
| 5   | OUT    | The output for driving the external MOSFET   |
| 6   | VCC    | Power supply pin   |
| 7   | NC     | Unconnected pin  |
| 8   | HV     | This pin is connected to positive terminal of bulk capacitor. It provides the startup current. When UVLO (on) is tripped, this HV loop will be off thus limit the power loss on the startup circuit. |

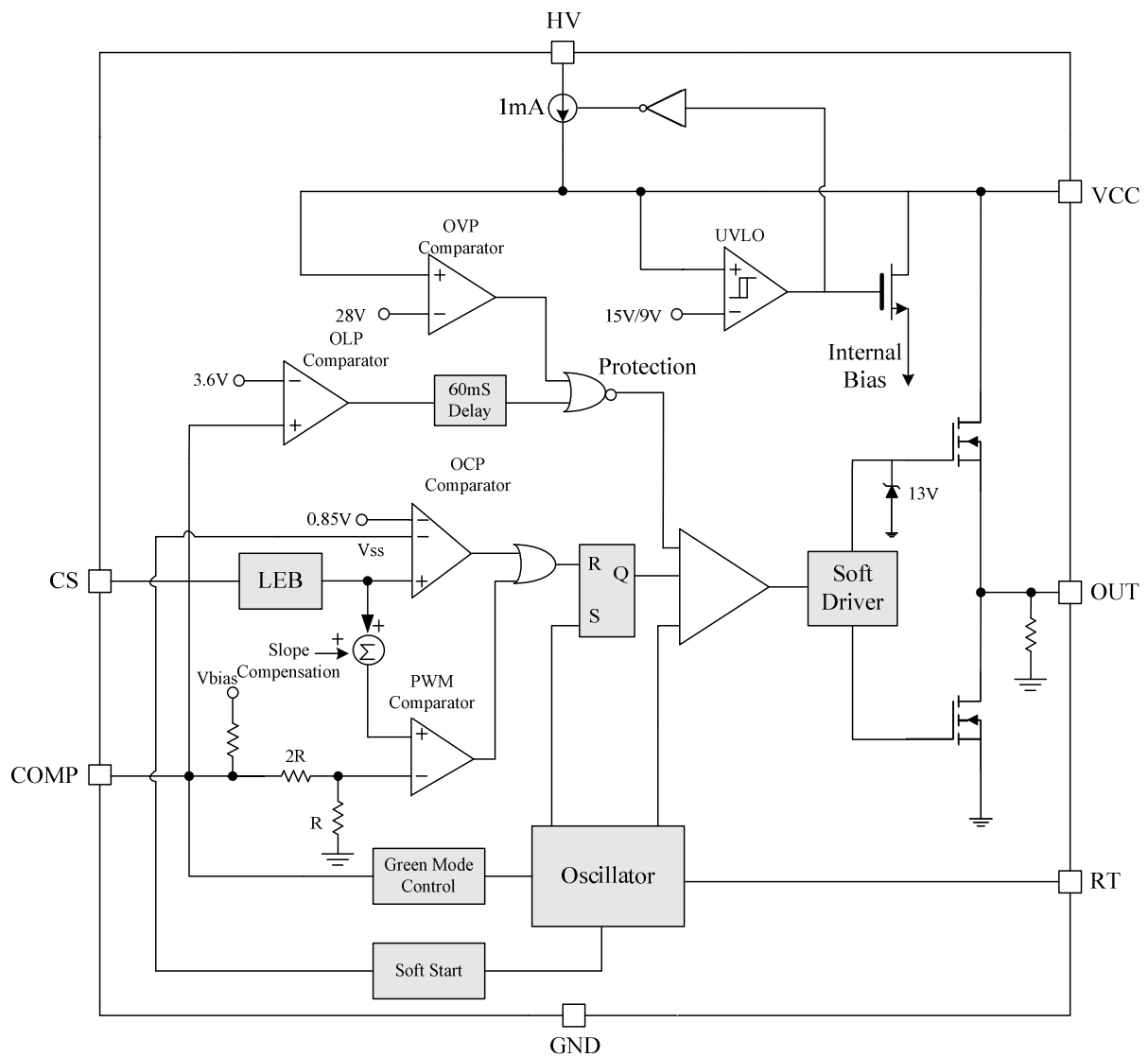
## Absolute Maximum Ratings

|   |       |               |
|---|-------|---------------|
| Supply voltage VCC  | ----- | 35V           |
| High-voltage pin, HV  | ----- | -0.3 ~ 500V   |
| COMP, RT, CS  | ----- | -0.3 ~ 7V     |
| Junction temperature  | ----- | 150°C         |
| Operating ambient temperature                                 | ----- | -20°C ~ 85°C  |
| Storage temperature range                                     | ----- | -65°C ~ 150°C |
| SOP-8, SOP-7 package thermal resistance                       | ----- | 160°C/W       |
| DIP-8 package thermal resistance                              | ----- | 100°C/W       |
| Power dissipation (SOP-8,SOP-7 at ambient temperature = 85°C) | ----- | 400 mW        |
| Power dissipation (DIP-8, at ambient temperature = 85°C)      | ----- | 650mW         |
| Lead temperature (All Pb free packages, soldering, 10sec)     | ----- | 260°C         |
| ESD voltage protection, human body model                      | ----- | 2KV           |
| ESD voltage protection, machine model                         | ----- | 200V          |

## Recommended Operating Conditions

| Item                | Min. | Max. | Unit |
|---------------------|------|------|------|
| Supply voltage VCC  | 11.5 | 25   | V    |
| Switching frequency | 50   | 130  | KHz  |
| COMP pin capacitor  | 1    | 10   | nF   |
| Start-up capacitor  | 10   | 47   | uF   |

## Block Diagram



**Electrical Characteristics** ( $T_A = +25^{\circ}\text{C}$  unless otherwise specified,  $V_{CC} = 15.0\text{V}$ )

| Parameter | Pin | Min. | Typ. | Max. | Unit |
|-----------|-----|------|------|------|------|
|-----------|-----|------|------|------|------|

**HIGH-VOLTAGE SUPPLY (HV Pin)**

|  |   |     |     |      |    |
|--|---|-----|-----|------|----|
| High-voltage current source ( $V_{CC} = 0\text{V}$ ) | 8 | 0.5 | 1.0 | 1.65 | mA |
| Off-state leakage current                            | 8 | 0   |     | 25   | uA |

**SUPPLY VOLTAGE**

|   |   |      |     |      |    |
|---|---|------|-----|------|----|
| Startup current   | 6 |      |     | 20   | uA |
| Operating current (with 1nF load on OUT pin), $V_{comp} = 0\text{V}$        | 6 |      | 1.8 |      | mA |
| Operating current (with 1nF load on OUT pin), $V_{comp} = 2.5\text{V}$      | 6 |      | 2.5 |      | mA |
| Operating current (with 1nF load on OUT pin), protection tripped (OLP, OVP) | 6 |      | 0.8 |      | mA |
| UVLO (on)   | 6 | 14   | 15  | 16   | V  |
| UVLO (off)  | 6 | 8.3  | 9.3 | 10.3 | V  |
| OVP level on VCC pin  | 6 | 26.5 | 28  | 29.5 | V  |

**VOLTAGE FEEDBACK**

|   |   |   |     |   |    |
|---|---|---|-----|---|----|
| Short circuit current, $V_{comp} = 0\text{V}$ | 2 |   | 1.5 |   | mA |
| Open loop voltage, COMP pin open              | 2 | 5 | 5.6 | 6 | V  |
| Green mode threshold voltage                  | 2 |   | 1.2 |   | V  |

**CURRENT SENSING**

|                                       |   |      |      |      |                  |
|---------------------------------------|---|------|------|------|------------------|
| Maximum input voltage, $V_{cs}$ (off) | 3 | 0.80 | 0.85 | 0.90 | V                |
| Leading-edge blanking time            | 3 | 250  | 350  | 450  | nS               |
| Input impedance                       | 3 | 1    |      |      | $\text{M}\Omega$ |
| Delay to output                       | 3 |      | 100  |      | nS               |

**OSCILLATOR**

|  |   |    |    |    |     |
|--|---|----|----|----|-----|
| Frequency ( $R_T = 100\text{K}\Omega$ )                            | 3 | 60 | 65 | 70 | KHz |
| Green mode frequency ( $R_T = 100\text{K}\Omega$ )                 | 3 | 18 | 22 | 28 | KHz |
| Temp. stability ( $-40^{\circ}\text{C} \sim 110^{\circ}\text{C}$ ) | 3 |    |    | 3  | %   |
| Voltage stability ( $V_{CC} = 11\text{V} \sim 25\text{V}$ )        | 3 |    |    | 3  | %   |

**GATE DRIVER OUTPUT**

|  |   |      |      |    |    |
|--|---|------|------|----|----|
| Output low level, $V_{CC} = 15\text{V}$ , $I_o = 20\text{mA}$  | 1 |      |      | 1  | V  |
| Output high level, $V_{CC} = 15\text{V}$ , $I_o = 20\text{mA}$ | 1 | 8    |      |    | V  |
| Rising time, load capacitance = 1000pF                         | 1 |      | 200  |    | nS |
| Falling time, load capacitance = 1000pF                        | 1 |      | 50   |    | nS |
| Gate clamping voltage  |   | 12.5 | 13.5 | 15 | V  |

**OLP**

|   |   |     |     |   |    |
|---|---|-----|-----|---|----|
| OLP trip level, $V_{comp}$ (OLP)            | - | 3.3 | 3.6 | 4 | V  |
| OLP delay time (note), $F_s = 65\text{KHz}$ | - |     | 60  |   | mS |



### Typical Performance Characteristics

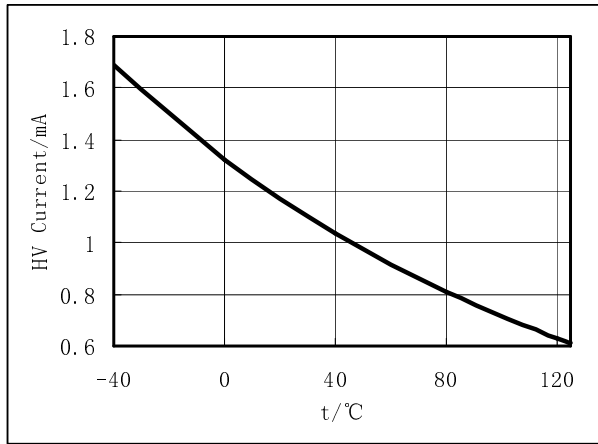


Fig. 1

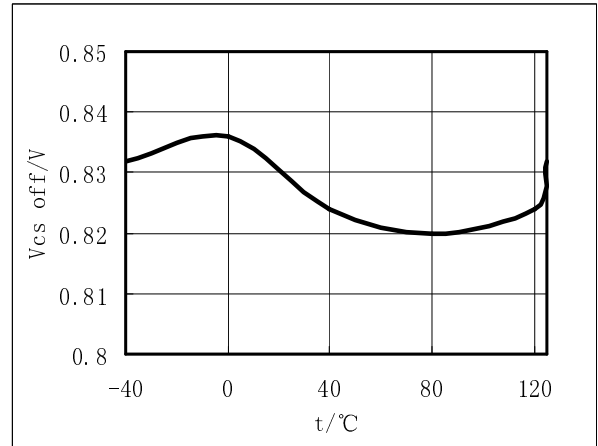


Fig. 2

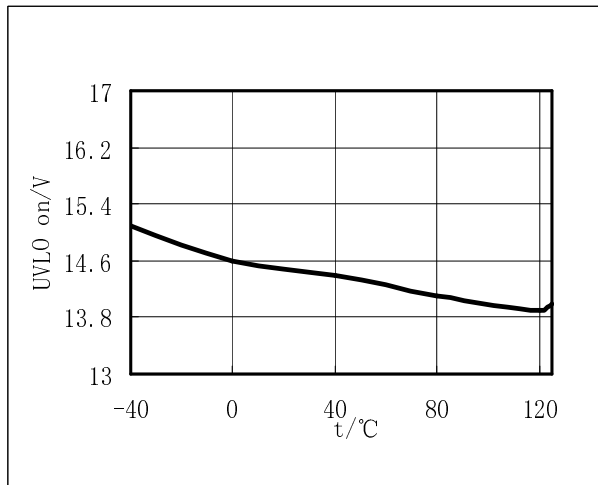


Fig. 3

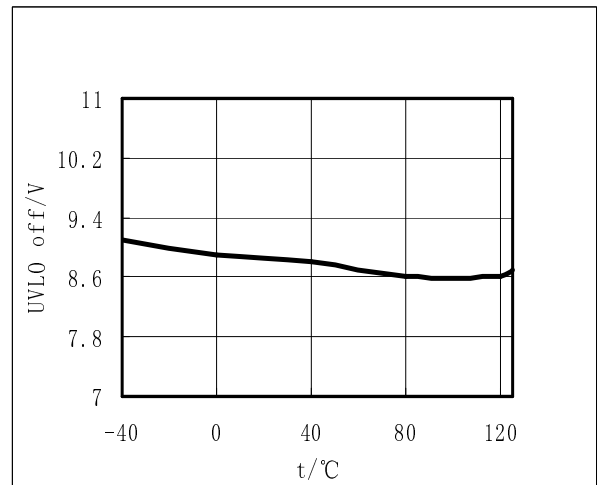


Fig. 4

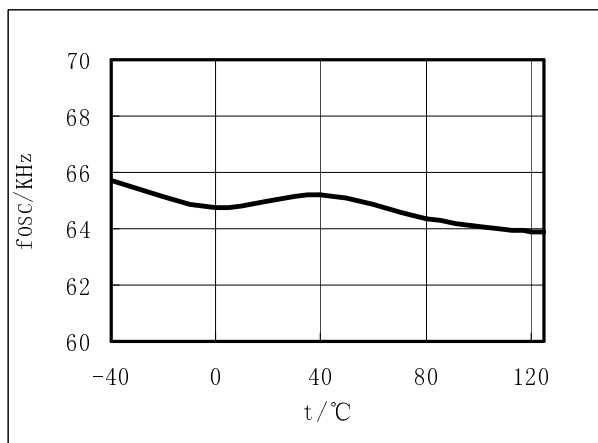


Fig. 5

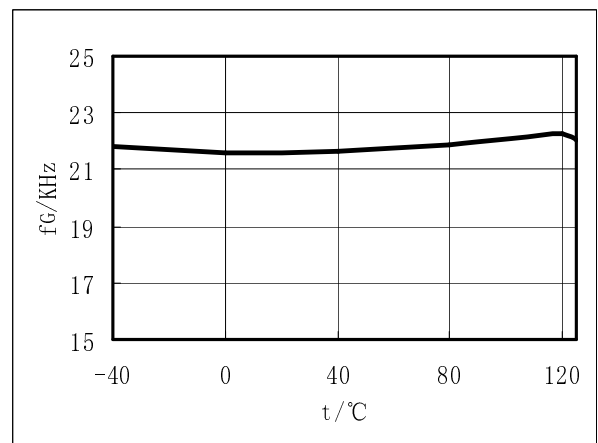


Fig. 6



### Typical Performance Characteristics (Cont.)

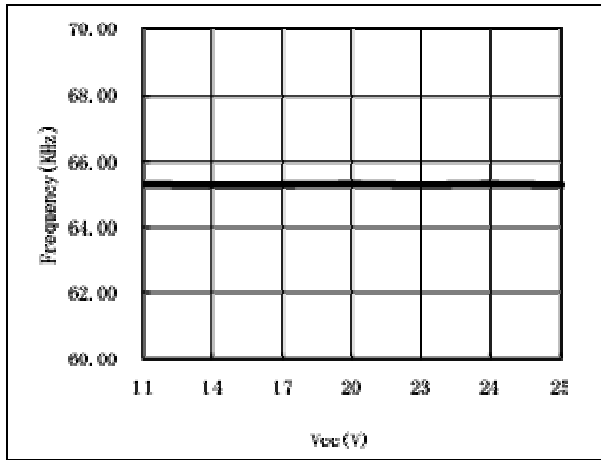


Fig. 7

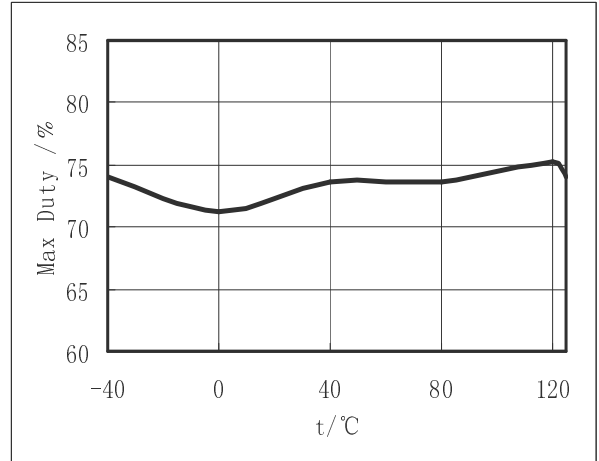


Fig. 8

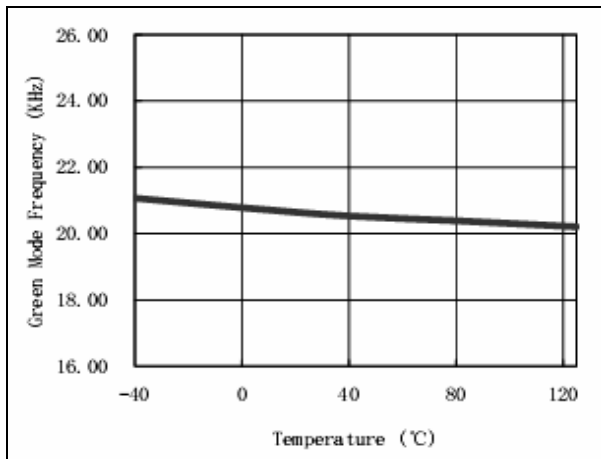


Fig. 9

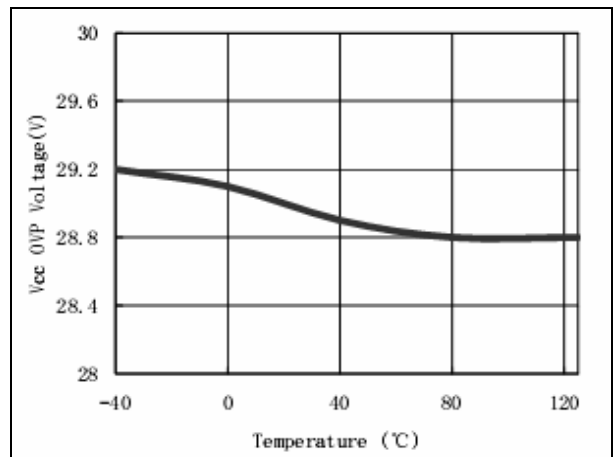


Fig. 10

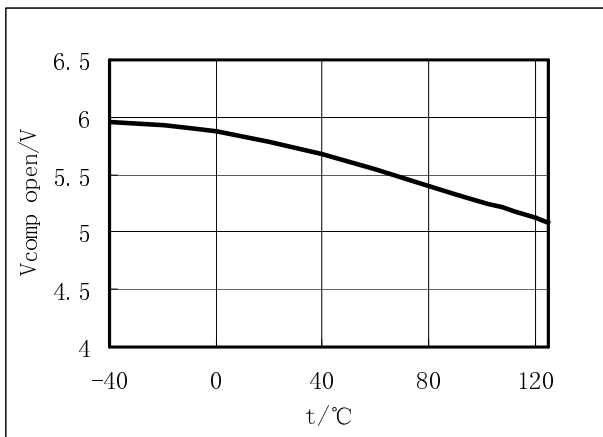


Fig. 11

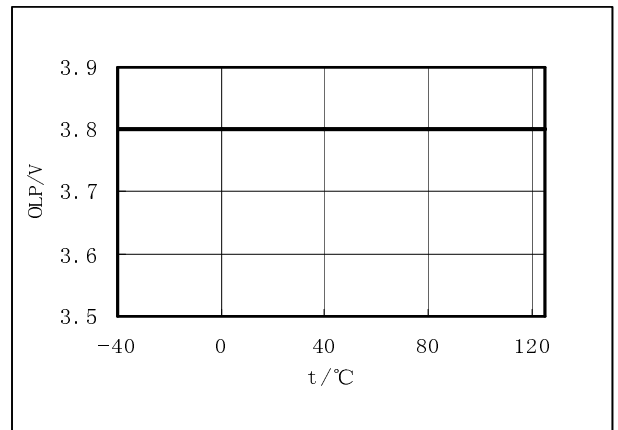


Fig. 12

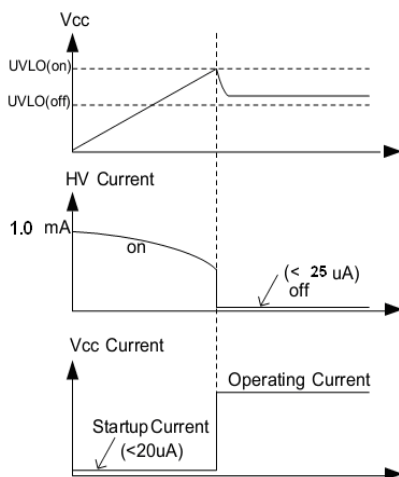
## Application Information

### Overview

The GR8876A integrates several functions that are needed in the market. It includes green-mode controller and high-voltage start-up circuit which can save the power loss after startup.

### High-voltage Startup Circuit and Under-voltage Lockout (UVLO)

GR8876A implements a high-voltage startup circuit, during the startup; high-voltage current sources are turned on and provide the start-up current as well as charge the Vcc capacitor. When the Vcc voltage is higher than the UVLO (on) threshold, the high-voltage current source will be turned off. Its leakage current is very low (25uA), which only consumes little power. By using such configuration, the traditional startup resistor is not needed and turn-on delay time will be almost the same no matter what the line voltage conditions are (Refer to Fig. 13).



**Fig. 13**

A hysteresis UVLO comparator is implemented in GR8876A, and then the turn-on and turn-off threshold levels are fixed at 15V and 9V respectively. This hysteresis shown in Fig.13 ensures that the start-up capacitor will be adequate to supply the chip during start-up.

### Oscillator

The maximum duty-cycle of internal oscillator is limited to about 75% to avoid the transformer saturation. The frequency of the oscillator is decided by an external resistor connected from RT pin to ground.

$$f_{osc} = 6500(\text{KHz})/R(\text{Kohm}).$$

Where R is the resistor connected at RT pin. A 100Kohm resistor results in 65KHz switching frequency. The recommended range of oscillation frequency is 50 KHz ~ 130 KHz.

### Green-mode Operation

When the load decreases to an extent, the frequency of the controller will decrease so as to reduce the system power consumption. The minimum frequency is about 22 KHz which is outside the audio range.

### Leading-edge Blanking (LEB)

Each time the power MOSFET is switched on, a turn-on spike will inevitably occur at the sensor resistor. To avoid fault trigger, a 350ns leading-edge blanking time is built in. Conventional RC filtering can therefore be omitted. During this blanking period, the current-limit comparator is disabled and cannot switch off the gate driver.

### Internal Slope Compensation

A built-in slope compensation circuit is constructed in GR8876A. When the switch is on, a ramp voltage is added to the sensed voltage across the CS pin, which helps to stabilize the system and prevent sub-harmonic oscillations.

### Gate Clamp/Soft Driving

Driver is clamped by an internal 13.5V Zener diode. Those damages usually come from undesired over-voltage gate signals. Under the conditions listed below, the gate output will turn off immediately to protect the power circuit.

The GR8876A also has soft driving function to minimize EMI.

### Soft Start

During initial power on, the GR8876A provides soft start function. It effectively suppresses the start up peak current to reduce the power MOSFET drain voltage especially at high line.

### Over-load Protection (OLP)

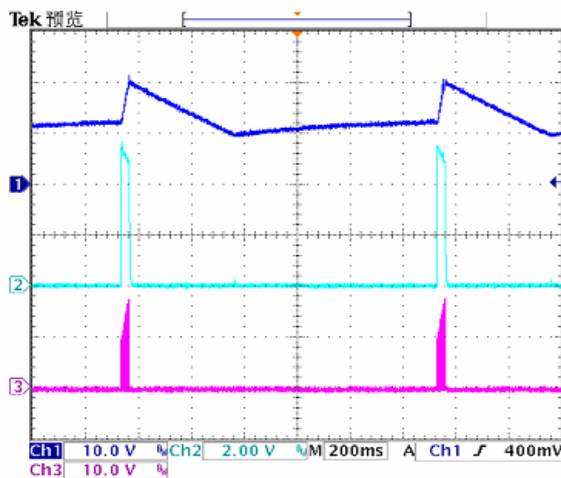
The controller has an over load protection function. An internal circuit detects the Comp pin level, when the level is larger than a threshold and the condition lasts more than 60ms, then the gate output will keep low level. The VCC will decrease to UVLO off level and the controller will be reset again. Fig.14 shows the waveform of the OLP operation.

will recover at the next UVLO (on). The VCC is working in hiccup mode.

### Fault Protections

There are several critical protections integrated in the GR8876A to prevent the power supply or adapter from being damaged. Those damages usually come from open or short condition on the pins of GR8876A. Under the conditions listed below, the gate output will turn off immediately to protect the power circuit:

- . Gate pin short to ground
- . CS pin floating
- . RT pin floating
- . RT pin short to ground

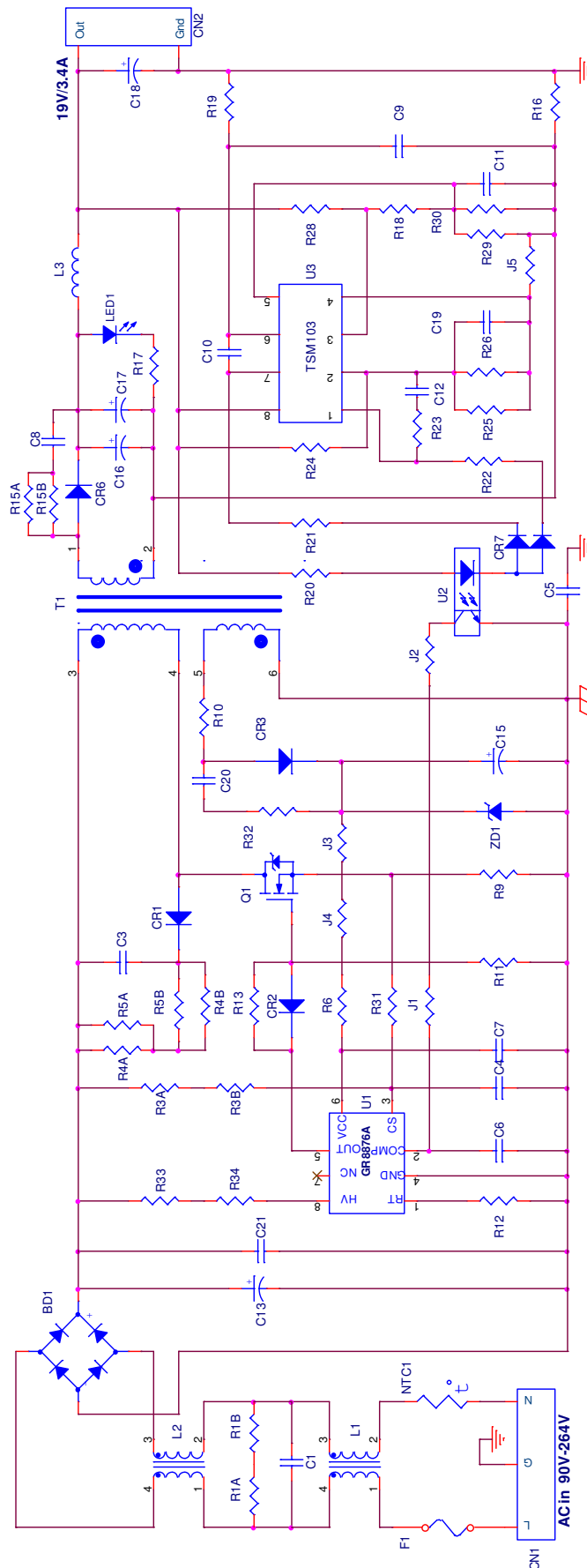


**Fig.14**

### Over-voltage Protection (OVP) on VCC

To prevent power MOSFET from being damaged, the GR8876A is implemented an OVP function on VCC. When the VCC voltage is higher than the OVP threshold voltage 28V, the output gate driver circuit will be shut down immediately to stop the switching of power MOSFET. The VCC OVP function is an auto-recovery type. If the OVP condition happens, the OUT pin will be disabled and



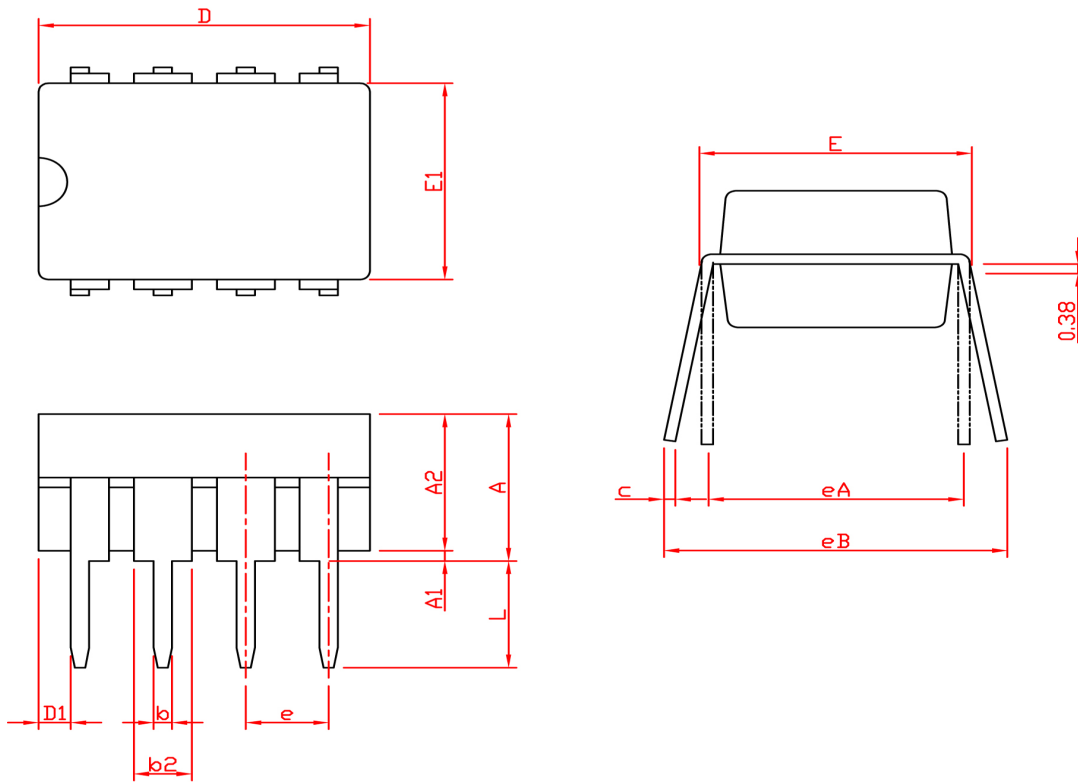
**Typical Application Circuit**


**Bom List**

| No. | Part             | Description                            | Quan. |
|-----|------------------|--|-------|
| 1   | BD1              | Bridge, KBL406, DIP                    | 1     |
| 2   | C1               | X-cap, 0.47uF, 275V, DIP               | 1     |
| 3   | C2, C14, C20,C21 | N.A.                                   |       |
| 4   | C3               | Cap,102,1KV, DIP                       | 1     |
| 5   | C4               | Cap,101,50V, SMD 0805                  | 1     |
| 6   | C5               | Y-CAP, CD222, 275V                     | 1     |
| 7   | C6, C11, C12,C19 | Cap,103,50V, SMD 0805                  | 4     |
| 8   | C7               | Cap,104,50V, SMD 0805                  | 1     |
| 9   | C8               | Cap,102, 200V, SMD 0805                | 1     |
| 10  | C9               | Cap, 225, 50V, SMD 0805                | 1     |
| 11  | C10              | Cap, 221, 50V, SMD 0805                | 1     |
| 12  | C13              | E-Cap,120uF, 400V, 105°C, DIP          | 1     |
| 13  | C15              | E-Cap, 22uF, 50V, 105°C, DIP           | 1     |
| 14  | C16, C17         | E-Cap, 680uF, 25V, 105°C, DIP, Low ESR | 2     |
| 15  | C18              | E-Cap, 220uF, 25V, 105°C,DIP, Low ESR  | 1     |
| 16  | CN1              | AC Input (3 Pin)                       | 1     |
| 17  | CR1              | FR107, DIP                             | 1     |
| 18  | CR2              | 1N4148, SMD                            | 1     |
| 19  | CR3              | FR104, DIP                             | 1     |
| 20  | CR4, CR5         | N.A.                                   |       |
| 21  | CR6              | SBR10U100CT                            | 1     |
| 22  | CR7              | ISS181, SMD                            | 1     |
| 23  | F1               | 3.15A, 250V, DIP                       | 1     |
| 24  | HS1              | Heat sink of Rectifier                 | 1     |
| 25  | HS2              | Heat sink of MOSFET                    | 1     |
| 26  | J1, J2, J3       | 0R, SMD0805                            | 3     |
| 27  | J4, J5           | 0R, SMD1206                            | 2     |
| 28  | L1               | Common Chock, 700uH, DIP               | 1     |
| 29  | L2               | Common Chock,10mH, DIP                 | 1     |
| 30  | L3               | 1.6uH, DIP                             | 1     |
| 31  | NTC1             | N.A.                                   |       |
| 32  | NTC2             | N.A.                                   |       |

**Bom List (Cont.)**

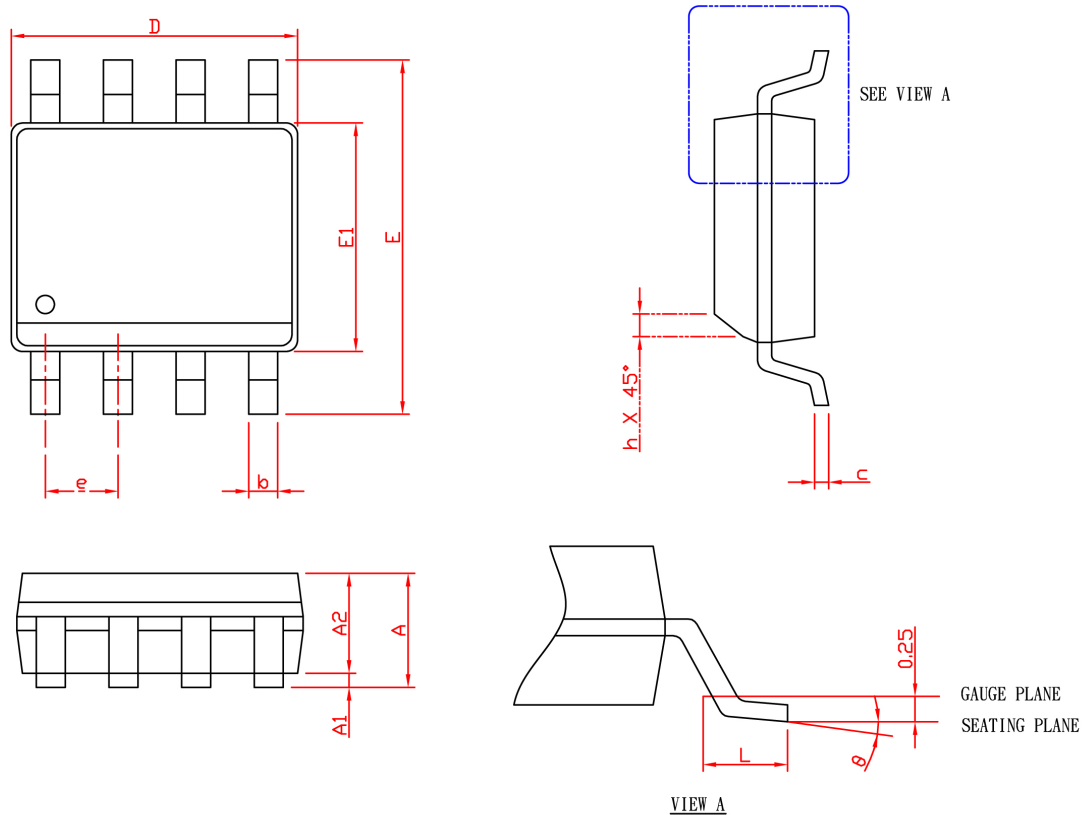
|    |                                |                         |   |
|----|--------------------------------|-------------------------|---|
| 33 | PCB                            | FR4, 102mm*39.0mm*1.0mm | 1 |
| 34 | Q1                             | FPQF10N60,T0220         | 1 |
| 35 | Q2                             | N.A.                    |   |
| 36 | Q3                             | N.A.                    |   |
| 37 | R1A, R1B                       | 1M, 5%, SMD1206         | 2 |
| 38 | R2, R7, R8, R11, R14, R17, R32 | N.A.                    |   |
| 39 | R3A, R3B                       | N.A.                    |   |
| 40 | R4A, R4B, R5A, R5B             | 68K, 5%, SMD1206        | 4 |
| 41 | R6, R33, R34                   | 0R, SMD0805             | 3 |
| 42 | R9                             | 0.33R, 1W, 1%, Rcs      | 1 |
| 43 | R10                            | 2.2R, 5%, SMD1206       | 1 |
| 44 | R12                            | 100K, 1%, SMD0805       | 1 |
| 45 | R13                            | 33R, 5%, SMD0805        | 1 |
| 46 | R15A, R15B                     | 22R, 5%, SMD1206        | 2 |
| 47 | R16                            | 0.0170R, 4.0mm          | 1 |
| 48 | R18                            | 68K, 1%, SMD0805        | 1 |
| 49 | R19                            | 62K, 5%, SMD0805        | 1 |
| 50 | R20                            | 100R, 5%, SMD0805       | 1 |
| 51 | R21                            | 1.5K, 5%, SMD0805       | 1 |
| 52 | R22                            | 10R, 5%, SMD0805        | 1 |
| 53 | R23                            | 2.2K, 5%, SMD0805       | 1 |
| 54 | R24                            | 16.5K, 1%, SMD0805      | 1 |
| 55 | R25, R26                       | 5K, 1%, SMD0805         | 2 |
| 56 | R28                            | 15K, 5%, SMD0805        | 1 |
| 57 | R29,R30                        | 4.3K,1%, SMD0805        | 2 |
| 58 | R31                            | 1.5K, 1%, DIP           | 1 |
| 59 | T1                             | P0T-3019, 550uH         | 1 |
| 60 | U1                             | GR8876A, SOP-8          | 1 |
| 61 | U2                             | PC817, DIP-4            | 1 |
| 62 | U3                             | TSM103, SOP-8           | 1 |
| 63 | ZD1                            | N.A.                    |   |

**Package Information**


| SYMBOL | DIP-8       |       |           |       |
|--------|-------------|-------|-----------|-------|
|        | MILLIMETERS |       | INCHES    |       |
|        | MIN.        | MAX.  | MIN.      | MAX.  |
| A      |             | 5.33  |           | 0.210 |
| A1     | 0.38        |       | 0.015     |       |
| A2     | 2.92        | 4.95  | 0.115     | 0.195 |
| b      | 0.36        | 0.56  | 0.014     | 0.022 |
| b2     | 1.14        | 1.78  | 0.045     | 0.070 |
| c      | 0.20        | 0.35  | 0.008     | 0.014 |
| D      | 9.01        | 10.16 | 0.355     | 0.400 |
| D1     | 0.13        |       | 0.005     |       |
| E      | 7.62        | 8.26  | 0.300     | 0.325 |
| E1     | 6.10        | 7.11  | 0.240     | 0.280 |
| e      | 2.54 BSC    |       | 0.100 BSC |       |
| eA     | 7.62 BSC    |       | 0.300 BSC |       |
| eB     |             | 10.92 |           | 0.430 |
| L      | 2.92        | 3.81  | 0.115     | 0.150 |

Note: 1. Followed from JEDEC MS-001 BA.

2. Dimension D, D1 and E1 do not include mold flash or protrusions. Mold flash or protrusions shall not exceed 10 mil.

**Package Information**


| SYMBOL   | SOP-8 / SOP-7 |      |           |       |
|----------|---------------|------|-----------|-------|
|          | MILLIMETERS   |      | INCHES    |       |
|          | MIN.          | MAX. | MIN.      | MAX.  |
| A        |               | 1.75 |           | 0.069 |
| A1       | 0.10          | 0.25 | 0.004     | 0.010 |
| A2       | 1.25          |      | 0.049     |       |
| b        | 0.31          | 0.51 | 0.012     | 0.020 |
| c        | 0.17          | 0.25 | 0.007     | 0.010 |
| D        | 4.80          | 5.00 | 0.189     | 0.197 |
| E        | 5.80          | 6.20 | 0.228     | 0.244 |
| E1       | 3.80          | 4.00 | 0.150     | 0.157 |
| e        | 1.27 BSC      |      | 0.050 BSC |       |
| h        | 0.25          | 0.50 | 0.010     | 0.020 |
| L        | 0.40          | 1.27 | 0.016     | 0.050 |
| $\theta$ | 0°            | 8°   | 0°        | 8°    |

Note: 1. Followed from JEDEC MS-012 AA.

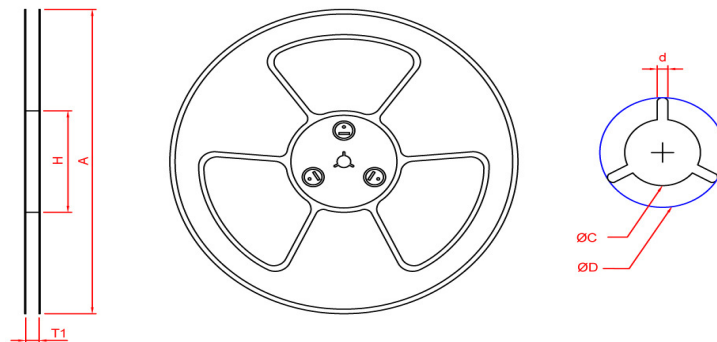
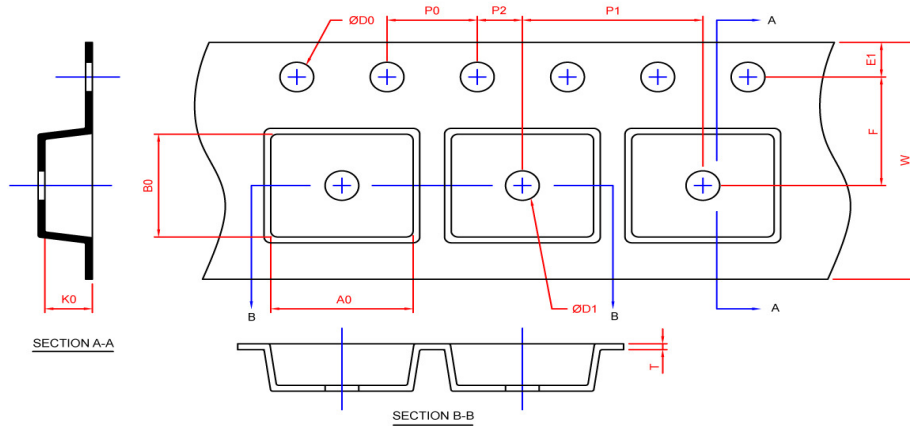
2. Dimension "D" does not include mold flash, protrusions or gate burrs. Mold flash, protrusion or gate burrs shall not exceed 6 mil per side.

3. Dimension "E1" does not include inter-lead flash or protrusions. Inter-lead flash and protrusions shall not exceed 10 mil per side.



### Carrier Tape & Reel Dimensions

SOP-8 / SOP-7



| Application | A         | H         | T1                 | C                  | d         | D                 | W         | E1        | F         |
|-------------|-----------|-----------|--------------------|--------------------|-----------|-------------------|-----------|-----------|-----------|
| SOP-8/SOP-7 | 330.0±2.0 | 50 MIN.   | 12.4+2.00<br>-0.00 | 13.0+0.50<br>-0.20 | 1.5 MIN.  | 20.2 MIN.         | 12.0±0.30 | 1.75±0.10 | 5.5±0.05  |
|             | <b>P0</b> | <b>P1</b> | <b>P2</b>          | <b>D0</b>          | <b>D1</b> | <b>T</b>          | <b>A0</b> | <b>B0</b> | <b>K0</b> |
|             | 4.0±0.10  | 8.0±0.10  | 2.0±0.05           | 1.5+0.10<br>-0.00  | 1.5 MIN.  | 0.6+0.00<br>-0.40 | 6.40±0.20 | 5.20±0.20 | 2.10±0.20 |

(mm)

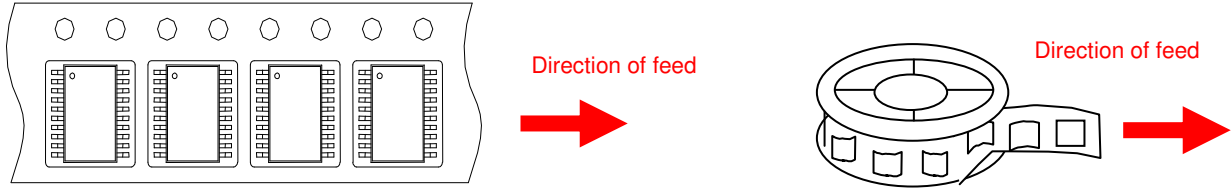
### Devices Per Unit

| Application | Carrier Width | Cover Tape Width | Devices Per Reel |
|-------------|---------------|------------------|------------------|
| SOP-8/SOP-7 | 12            | -                | 2500             |



Taping direction information

SOP-8/ SOP-7



Greenergy OPTO, Inc. reserves the right to make corrections, modifications, enhancements, improvements, and other changes to its products and services at any time and to discontinue any product or service without notice. Customers should obtain the latest relevant information before placing orders and should verify that such information is current and complete.